

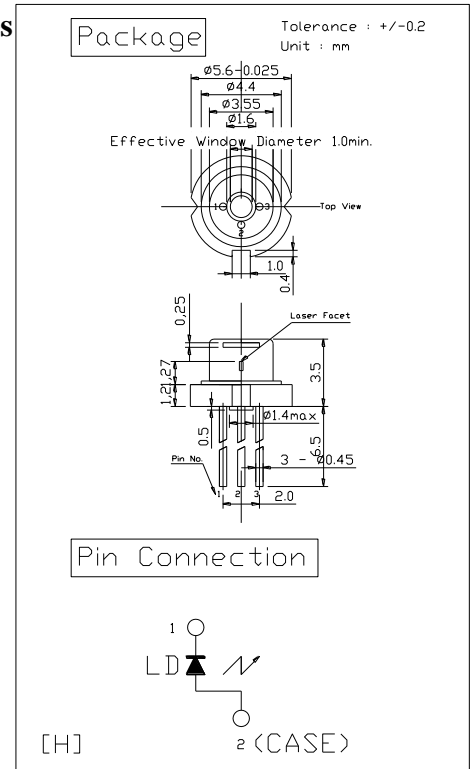
## HLD808500H4T-I 808nm 500mW 40°C Laser Diodes

### ■ Specifications

Wavelength:	808nm
Light Output:	500mW CW
Package Type:	TO-18(Φ 5.6mm)

### ■ Absolute Maximum Ratings (Tc=25°C)

Parameter	Symbols	Ratings	Units
Optical Output	Po(CW)	500	mW
Reverse Voltage	Vr	2	V
Operating Temperature	Top	-10 ~ +40	°C
Storage Temperature	Tstg	-40 ~ +80	°C



### ■ Electrical and optical Characteristics(Tc=25°C)

Parameter	Symbols	Conditions	Min	Typ	Max	Units	
Threshold Current	Ith	-	-	50	70	mA	
Operating Current	Iop	Po=400mW	-	500	550	mA	
Operating Voltage	Vop	Po=400mW	-	1.8	2.1	Volts	
Slope Efficiency	η	-	0.8	1.0	-	mW/mA	
Beam Divergence (FWHM)	Parallel	θ	Po=400mW	9	12	15	deg
	Perpendicular	θ ⊥	Po=400mW	28	30	35	deg
Parallel Deviation Angle	Δθ	Po=400mW	-3	-	3	deg	
Perpendicular Deviation Angle	Δθ ⊥	Po=400mW	-3	-	3	deg	
Emission Point Accuracy	ΔX, ΔY, ΔZ	Po=400mW	-80	-	80	um	
Lasing Wavelength	λ p	Po=400mW	805	808	811	nm	

Im is sorting by custom's need

◎ θ || and θ ⊥ are defined as the angle within which the intensity is 50% of the peak value.